



**ANSI C80.1-2005**

**American National Standard**

for Electrical Rigid Steel Conduit  
(ERSC)

.....



**ANSI C80.1-2005**  
Revision of  
ANSI C80.1-1994

**American National Standard  
For Electrical Rigid Steel Conduit (ERSC)**

Secretariat:

**National Electrical Manufacturers Association**

Approved August 18, 2005

**American National Standards Institute, Inc.**

## NOTICE AND DISCLAIMER

The information in this publication was considered technically sound by the consensus of persons engaged in the development and approval of the document at the time it was developed. Consensus does not necessarily mean that there is unanimous agreement among every person participating in the development of this document.

NEMA standards and guideline publications, of which the document contained herein is one, are developed through a voluntary consensus standards development process. This process brings together volunteers and/or seeks out the views of persons who have an interest in the topic covered by this publication. While NEMA administers the process and establishes rules to promote fairness in the development of consensus, it does not write the document and it does not independently test, evaluate, or verify the accuracy or completeness of any information or the soundness of any judgments contained in its standards and guideline publications.

NEMA disclaims liability for any personal injury, property, or other damages of any nature whatsoever, whether special, indirect, consequential, or compensatory, directly or indirectly resulting from the publication, use of, application, or reliance on this document. NEMA disclaims and makes no guaranty or warranty, express or implied, as to the accuracy or completeness of any information published herein, and disclaims and makes no warranty that the information in this document will fulfill any of your particular purposes or needs. NEMA does not undertake to guarantee the performance of any individual manufacturer or seller's products or services by virtue of this standard or guide.

In publishing and making this document available, NEMA is not undertaking to render professional or other services for or on behalf of any person or entity, nor is NEMA undertaking to perform any duty owed by any person or entity to someone else. Anyone using this document should rely on his or her own independent judgment or, as appropriate, seek the advice of a competent professional in determining the exercise of reasonable care in any given circumstances. Information and other standards on the topic covered by this publication may be available from other sources, which the user may wish to consult for additional views or information not covered by this publication.

NEMA has no power, nor does it undertake to police or enforce compliance with the contents of this document. NEMA does not certify, test, or inspect products, designs, or installations for safety or health purposes. Any certification or other statement of compliance with any health or safety-related information in this document shall not be attributable to NEMA and is solely the responsibility of the certifier or maker of the statement.

# **AMERICAN NATIONAL STANDARD**

Approval of an American National Standard requires verification by ANSI that the requirements for due process, consensus, and other criteria for approval have been met by the standards developer.

Consensus is established when, in the judgment of the ANSI Board of Standards Review, substantial agreement has been reached by directly and materially affected interests. Substantial agreement means much more than a simple majority, but not necessarily unanimity. Consensus requires that all views and objections be considered, and that a concerted effort be made toward their resolution.

The use of American National Standards is completely voluntary; their existence does not in any respect preclude anyone, whether he has approved the standards or not, from manufacturing, marketing, purchasing, or using products, processes, or procedures not conforming to the standards.

The American National Standards Institute does not develop standards and will in no circumstances give an interpretation of any American National Standard. Moreover, no person shall have the right or authority to issue an interpretation of an American National Standard in the name of the American National Standards Institute. Requests for interpretations should be addressed to the secretariat or sponsor whose name appears on the title page of this standard.

Caution Notice: This American National Standard may be revised or withdrawn at any time. The procedures of the American National Standards Institute require that action be taken periodically to reaffirm, revise, or withdraw this standard. Purchasers of American National Standards may receive current information on all standards by calling or writing the American National Standards Institute.

Published by

**National Electrical Manufacturers Association  
1300 North 17th Street, Rosslyn, VA 22209**

© Copyright 2005 by National Electrical Manufacturers Association

All rights reserved including translation into other languages, reserved under the Universal Copyright Convention, the Berne Convention for the Protection of Literary and Artistic Works, and the International and Pan American Copyright Conventions.

No part of this publication may be reproduced in any form, in an electronic retrieval system or otherwise, without the prior written permission of the publisher.

Printed in the United States of America

**This page intentionally left blank.**

## Contents

	Page
Foreword .....	v
<b>1</b> Scope .....	1
<b>2</b> Normative References .....	1
<b>3</b> Definitions .....	1
<b>4</b> Units of Measurements .....	2
<b>5</b> General Requirements .....	2
<b>5.1</b> Circular cross section .....	2
<b>5.2</b> Wall thickness .....	2
<b>5.3</b> Interior surface .....	2
<b>5.4</b> Welding .....	2
<b>5.5</b> Cleaning .....	2
<b>5.6</b> Protective coating for corrosion resistance .....	2
<b>5.7</b> Surface treatments .....	3
<b>6</b> Detailed Requirements .....	3
<b>6.1</b> Exterior coating .....	3
<b>6.1.1</b> Zinc coating .....	3
<b>6.1.2</b> Alternate Corrosion Resistant Coating .....	3
<b>6.2</b> Interior coating .....	3
<b>6.3</b> Threading and chamfering .....	3
<b>6.4</b> Identification .....	3
<b>6.5</b> Dimensions .....	3
<b>6.6</b> Threads .....	3
<b>6.7</b> Couplings .....	3
<b>6.8</b> Elbows and nipples .....	4
<b>7</b> Test Procedures .....	4
<b>7.1</b> Bending properties .....	4
<b>7.1.1</b> Ductility of steel .....	4
<b>7.1.2</b> Ductility of coating at ambient temperature .....	4
<b>7.2</b> Thickness of zinc coating .....	5
<b>7.3</b> Alternate corrosion resistant coatings (ACRC) .....	5
<b>7.4</b> Quality of organic coating for use on interior surface .....	5

<b>8</b>	Examination of Product .....	6
8.1	Place of inspection .....	6
8.2	Visual inspection of conduit .....	6
8.3	Visual inspection of elbows.....	6
8.4	Restrictions on localized surface imperfections.....	6
8.5	Retests .....	6
<b>9</b>	Markings .....	6
9.1	General .....	6
9.2	Alternate corrosion resistant coating marking.....	7
9.3	Supplementary coating marking .....	7

**Tables**

<b>1</b>	Dimensions of threads for rigid steel conduit.....	8
<b>2</b>	Dimensions and weights for rigid steel conduit.....	9
<b>3</b>	Dimensions of couplings .....	10
<b>4</b>	Dimensions of 90-degree elbows and weights of nipples per hundred .....	11

**Figures**

<b>1</b>	Test apparatus for bending conduit .....	5
----------	--	---



**Foreword** (This Foreword is not part of American National Standard C80.1-2005.)

This standard was developed by the Accredited Standards Committee on Raceways for Electrical Wiring Systems, C80. The objective of the committee is to produce a comprehensive specification that would establish uniform dimensions and standard construction requirements for Electrical Rigid Steel Conduit, Steel Electrical Metallic Tubing, Electrical Intermediate Metal Conduit and Electrical Aluminum Rigid Conduit raceway products and their associated components.

The standard was originally approved in 1950 and revised in 1953, 1959, 1963, 1966, 1977, 1983, 1990, 1994 and 2005.

Suggestions for improvement of this standard will be welcomed. They should be sent to:  
National Electrical Manufacturers Association  
1300 North 17th Street, Suite 1847  
Rosslyn, VA 22209.

This standard was processed and approved for submittal to ANSI by the Accredited Standards Committee on Raceways for Electrical Wiring Systems, C80. Committee approval of the standard does not necessarily imply that all committee members voted for its approval. At the time it approved this standard, the C80 Committee had the following members:

**J. A. Gruber, Chairman**

J. P. Collins, Jr., Secretary

*Organization Represented:**Name of Representative:*

Aluminum Association	P. Pollak
American National Standards Institute	H. Benko
American Iron and Steel Institute	J. A. Gruber
American Iron and Steel Institute	M. J. Brett, Jr.
American Iron and Steel Institute	J. Robbins
American Pipe Fittings Association	D. Thompson
International Association of Electrical Inspectors	W. Lilly
International Brotherhood of Electrical Workers	H. Hickman
National Electrical Contractors Association	B. Stauffer
National Electrical Manufacturers Association	A. W. Ballard
National Electrical Manufacturers Association	S. Blais
National Electrical Manufacturers Association	T. McNeive
National Electrical Manufacturers Association	E. Thompson
National Electrical Manufacturers Association	J. Dodds
Steel Tube Institute	K. Carroll
Steel Tube Institute	G. Scartozzi
Underwriters Laboratories, Inc	G. Walbrecht
Unaffiliated	D. Gearing
Unaffiliated	R. Loyd
Unaffiliated	H. E. Harper, Jr.

**This page intentionally left blank.**

## For Electrical Rigid Steel Conduit (ERSC)

### 1 Scope

This standard covers the requirements for electrical rigid steel conduit for use as a raceway for wires or cables of an electrical system. Finished conduit is produced in nominal 10 ft (3.05 m) lengths, threaded on each end with one coupling attached. It is protected on the exterior surface with a metallic zinc coating or alternate corrosion protection coating (as specified in the 13<sup>th</sup> edition of UL 6 in Clauses 5.3.3, 6.2.4, 7.8 and 7.9) and on the interior surface with a zinc or organic coating.

This standard also covers conduit couplings, elbows, nipples and conduit lengths other than 10 ft (3.05 m).

Properly assembled systems of conduit, couplings, elbows and nipples, manufactured in accordance with this standard, and other identified fittings provide for the electrical continuity required of an equipment grounding conductor.

### 2 Normative References

The following standards contain provisions which, through reference in this text, constitute requirements of this American National Standard. At the time of publication, the editions indicated were valid. All standards are subject to revision, and parties to agreements based on this American National Standard are encouraged to investigate the possibility of applying the most recent editions of the standards indicated below unless otherwise specified.

ANSI/ASME B1.20.1, *Pipe Threads, General Purpose (Inch)*

ASTM A 239 – 95 (1999), *Standard Practice for Locating the Thinnest Spot in a Zinc (Galvanized) Coating on Iron or Steel Articles*

ASTM B 499 – 96, *Standard Test Method for Measurement of Coating Thicknesses by the Magnetic Method: Nonmagnetic Coatings on Magnetic Basis Metals*

UL 6, *Electrical Rigid Metal Conduit --- Steel*

### 3 Definitions

**3.1 electrical rigid steel conduit (ERSC):** A threadable steel raceway of circular cross-section designed for the physical protection and routing of wire conductors and use as an equipment grounding conductor.

**3.2 threaded coupling:** An internally threaded steel cylinder for joining together the components of an ERSC system.

**3.3 elbow:** A manufactured curved section of ERSC threaded on each end.

**3.4 nipple:** A straight length of ERSC not more than 2 ft (0.61 m) long and threaded on each end.

**3.5 straight conduit:** A straight length of ERSC without a coupling.

**3.6 finished conduit:** A straight length of ERSC with one coupling attached.

**3.7 alternate corrosion resistant coating (ACRC):** A coating(s), other than one consisting solely of zinc, which, upon evaluation, has demonstrated the ability to provide the level of corrosion resistance required on the exterior of conduit. It is not prohibited that the coatings include zinc (as specified in the 13th edition of UL 6 in Clauses 5.3.3, 6.2.4, 7.8 and 7.9).

## **4 Units of Measurements**

The values stated in inch-pound units are to be regarded as the standard. The metric dimensions are exact conversions for safety considerations.

## **5 General Requirements**

### **5.1 Circular cross section**

Electrical rigid steel conduit shall have a circular cross section sufficiently accurate to permit the cutting of threads in accordance with Table 1.

### **5.2 Wall thickness**

The wall thickness shall be uniform throughout except for localized surface imperfections as permitted in 8. 4.

### **5.3 Interior surface**

The interior surface shall be free from injurious defects.

### **5.4 Welding**

The welding of all seams shall be continuous and done in a workmanlike manner.

### **5.5 Cleaning**

The conduit shall be adequately cleaned before the application of the protective coating. The cleaning process shall leave the exterior and interior surfaces of the conduit in such a condition that the protective coating shall be smooth and adhere firmly.

### **5.6 Protective coating for corrosion resistance**

**5.6.1** The exterior surface shall be either thoroughly and evenly coated with metallic zinc or protected with an alternate corrosion resistant coating (ACRC) (as specified in the 13th edition of UL 6 in Clauses 5.3.3, 6.2.4, 7.8 and 7.9).

**5.6.2** The interior surface shall be protected by a zinc, or an organic coating. The interior coating shall have a smooth continuous surface. An occasional variation due to uneven flow of coating shall be acceptable.

## **5.7 Surface treatments**

Any surface treatment not exceeding 0.00015 inch (0.0038 mm) that is employed as a topcoat or conversion coating is not required to meet the requirements for an ACRC or organic coating.

## **6 Detailed Requirements**

### **6.1 Exterior coating**

#### **6.1.1 Zinc coating**

The zinc coating thickness on the outside surface shall be equivalent to a minimum thickness of 0.0008 in. (0.02 mm) as tested in accordance with 7.2.

#### **6.1.2 Alternate corrosion resistant coating (ACRC)**

Specified in the 13th edition of UL 6 in Clauses 5.3.3, 6.2.4, 7.8 and 7.9.

### **6.2 Interior coating**

**6.2.1** The zinc coating shall be tested in accordance with 7.1.2.

**6.2.2** The organic coating shall not soften at a temperature of 120°F (49°C) and shall be sufficiently elastic to meet the test described in 7.4.

### **6.3 Threading and chamfering**

Each length of conduit, nipple and elbow shall be threaded on both ends, and each end shall be chamfered or otherwise treated to remove burrs and sharp edges.

Threads shall comply with the requirements of 6.6. If threads are cut after the zinc coating has been applied, the threads shall be treated with a protective coating to prevent corrosion before installation. This treatment shall not impair electrical continuity through couplings or fittings after installation.

### **6.4 Identification**

Each length of conduit, nipple, and elbow shall be identified with markings in accordance with 9.

### **6.5 Dimensions**

The dimensions and weights of ERSC shall be in accordance with Table 2.

### **6.6 Threads**

The number of threads per inch (threads per 25.4 mm), and the length of the threaded portion at each end of each length of conduit, nipple and elbow shall be as indicated in Table 1, and shall conform to ANSI/ASME B1.20.1. The perfect thread shall be tapered for its entire length, and the taper shall be 1 in 16.

### **6.7 Couplings**

Couplings shall comply with the following requirements:

**6.7.1** The exterior surface of couplings shall be protected against corrosion in the same manner as required for conduit, and shall comply with the requirements of 6.1.1 and, if applicable, 6.1.2. The interior surface shall be treated to inhibit corrosion from taking place prior to installation. This treatment shall not impair electrical continuity between the couplings and conduit after installation.

**6.7.2** Couplings shall be so made that all threads on the conduit will be covered when the coupling is made up "wrench tight" on conduit threads that meet the requirements of 6.6.

**6.7.3** Both ends of the couplings shall be chamfered to prevent damage to the starting thread.

**6.7.4** The outside diameter, length, pitch diameter, and chamfer diameter of couplings shall be as indicated in Table 3.

**6.7.5** Couplings shall be straight tapped.

**6.7.6** Couplings shall be marked as in 9.1. 3.

## **6.8 Elbows and nipples**

Conduit elbows and nipples shall be made of a similar grade of steel to that employed in straight lengths of ERSC, and shall be treated, coated, threaded, and marked for identification according to the applicable requirements for ERSC. The dimensions of 90 degree elbows and the weights of nipples shall be as indicated in Table 4.

## **7 Test Procedures**

### **7.1 Bending properties**

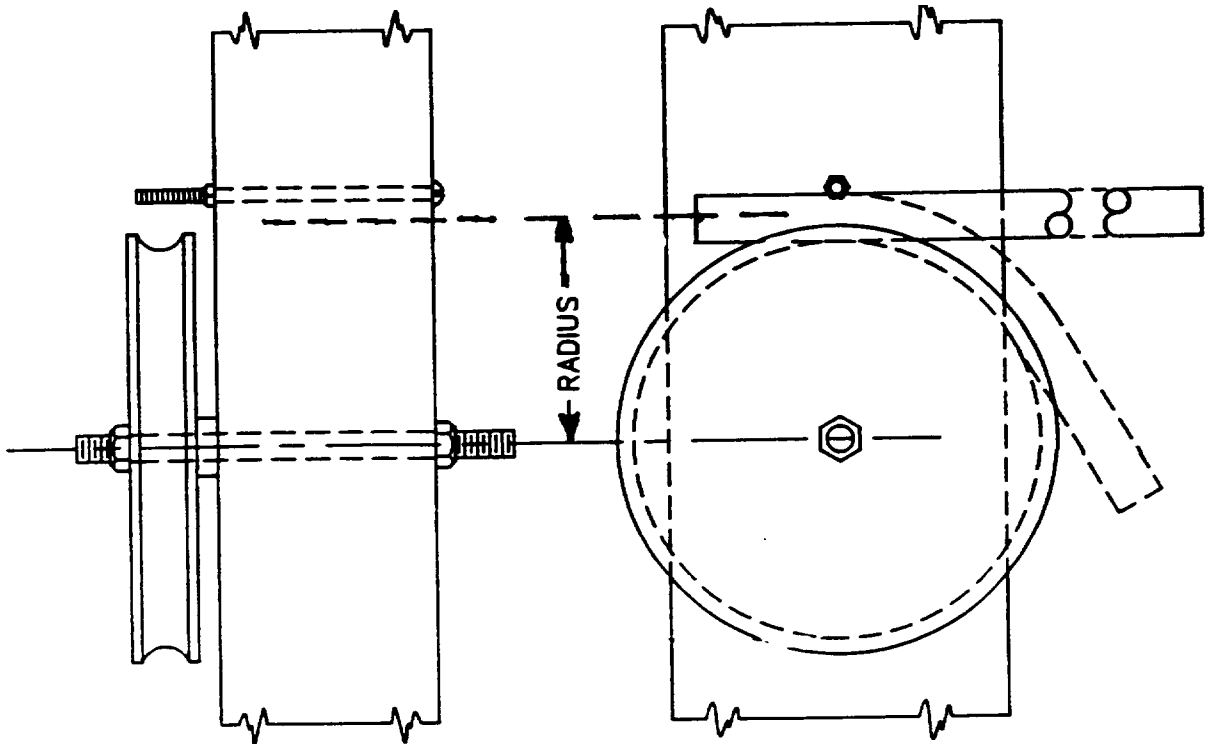
#### **7.1.1 Ductility of steel**

Conduit shall be capable of being bent, at ambient temperature, 90 degrees around a mandrel, the radius of which is shown in Table 4, without developing cracks at any portion of the bend and without opening the weld.

#### **7.1.2 Ductility of coating at ambient temperature**

The protective coatings used on the exterior and interior surfaces of ERSC shall be sufficiently elastic to prevent their cracking or flaking off when a finished sample of trade size 1/2 (16) or the smallest trade size manufactured is tested at ambient temperature. The test shall be performed within 1 year after the time of manufacture, by bending trade size 1/2 (16) conduit 180 degrees around a mandrel, the radius of which is shown in Table 4. Samples of other trade sizes shall be bent 90 degrees around a mandrel, the radius of which is shown in Table 4.

Compliance for trade sizes 1/2 (16) and 3/4 (21) shall be determined by bending the conduit with a form as shown in Figure 1. Compliance for trade sizes larger than 3/4 (21) shall be determined by bending the conduit with any suitable bending equipment.



**Figure 1 – Test apparatus for bending conduit**

## 7.2 Thickness of zinc coating

One of the following test methods shall be employed for measuring the thickness or extent of the external zinc coating on conduit:

- (1) Magnetic test in accordance with ASTM B 499.
- (2) Copper sulfate test (Preece Test) in accordance with ASTM A 239. Material that will withstand four 1-minute immersions shall be considered as meeting the requirements of 6.1.1.
- (3) Copper sulfate test method for zinc coating in accordance with UL 6, 13th Edition, Section 6.2.2.

## 7.3 Alternate corrosion resistant coatings (ACRC)

(See UL 6 13<sup>th</sup> edition Clauses 5.3.3, 6.2.4, 7.8, and 7.9)

## 7.4 Quality of organic coating for use on interior surface

Two test pieces of uncoated sheet steel, 3 in. x 5 in. x 0.010 in. (76.2 mm x 127.0 mm x 0.25 mm) shall be cleaned with a suitable solvent to remove all grease and foreign material. Each piece shall be dipped into the material used for the inside coating of the conduit. The coated test pieces shall be allowed to air-dry for 30 minutes before being placed in the baking oven. Each piece shall be suspended by means of short wires in the baking oven and the samples shall be baked for a period of 5 hours at the normal baking temperature used in production. If the normal baking temperature is less than 275°F (135°C) or if the coating is regularly air-dried, the oven temperature shall be maintained at 275°F to 302°F (135°C to 150°C).

At the end of the 5-hour period, the test samples shall be removed from the oven and allowed to air-cool to room temperature. Each test piece shall be gripped in a vise and then bent from the opposite side back and forth five times through an angle of 180 degrees, the radius of the bend being 1/16 in. (1.59 mm). When so tested, the coating on the sample shall not crack or flake.

## **8 Examination of Product**

### **8.1 Place of inspection**

All tests and inspections shall be made at the place of manufacture prior to shipment, unless otherwise specified, and shall be so conducted as not to interfere with normal manufacturing processes.

### **8.2 Visual inspection of conduit**

Each length of conduit shall be examined visually both on the exterior and interior surfaces to determine if the product is free from slivers, burrs, scale, or other similar injurious defects, and if coverage of the coating is complete.

### **8.3 Visual inspection of elbows**

Elbows are to be examined as described in 8.2 as straight lengths before the lengths are bent. In addition, elbows are to be monitored during the bending operation for evidence of flaking or other damage.

### **8.4 Restrictions on localized surface imperfections**

Localized surface imperfections shall not exceed a depth of 12-1/2% of the nominal wall thickness as given in Table 2.

### **8.5 Retests**

If any sample of electrical rigid metal conduit or elbow tested as prescribed in this specification fails, two additional samples shall be tested; both of which shall comply with the requirements of this specification.

## **9 Markings**

### **9.1 General**

**9.1.1** Each length of conduit, elbow, and nipple shall be marked "Rigid Steel Conduit", along with the manufacturer's name, trade name, or trademark or other descriptive marking by which the organization responsible for the product can be identified. A traceable code can be used to identify the manufacturer when a private labeler uses its own brand or trademark on the product. When a product is produced in more than one factory, each finished length of conduit, elbow, and nipple shall bear a distinctive marking by which it can be identified as the product of a particular factory. This marking may be in code. Additionally, each piece shall be legibly and durably marked "Consult manufacturer for proper installation" or equivalent wording.

**9.1.2** Nipples with unthreaded areas less than 2 inches (51 mm) long may be marked in accordance with the requirements of 9.1.1 on the smallest unit of shipping carton.



**9.1.3** Each coupling shall be die-stamped "EC" (electrical coupling) in letters not less than 1/8-inch (3 mm) high.

**9.1.4** Conduit marking shall be at a minimum of once every 10 feet (3.05 m) and no less than once every piece.

**9.2 Alternate corrosion resistant coating marking**

Specified in the 13th edition of UL 6 in Clauses 5.3.3, 6.2.4, 7.8 and 7.9.

**9.3 Supplementary coating marking**

Finished conduit, elbows and nipples provided with a supplementary coating, or coatings, that have not been evaluated for providing corrosion resistance for the conduit shall be marked "Corrosion protection properties of the [Insert type of supplementary coating applied] coating were not investigated" or equivalent wording.

ANSI C80.1-2005

Table 1 – Dimensions of threads for rigid steel conduit

Inch-Pound Units					Metric Units				
Trade Size	Threads Per in.	Pitch diameter at end of thread E <sub>o</sub> , taper 3/4 in. per ft. <sup>b</sup>	Length of Thread (in.)		Metric Designator	Threads Per 25.4 mm.	Pitch diameter at end of thread E <sub>o</sub> , taper 62.5 mm. per meter <sup>b</sup>	Length of Thread (mm)	
			Effective L <sub>2</sub>	Overall L <sub>4</sub> <sup>a</sup>				Effective L <sub>2</sub>	Overall L <sub>4</sub> <sup>a</sup>
1/2	14	0.758	0.53	0.78	16	14	19.3	13.5	19.8
3/4	14	0.968	0.55	0.79	21	14	24.6	14.0	20.1
1	11-1/2	1.214	0.68	0.98	27	11-1/2	30.8	17.3	24.9
1-1/4	11-1/2	1.557	0.71	1.01	35	11-1/2	39.5	18.0	25.7
1-1/2	11-1/2	1.796	0.72	1.03	41	11-1/2	45.6	18.3	26.2
2	11-1/2	2.269	0.76	1.06	53	11-1/2	57.6	19.3	26.9
2-1/2	8	2.720	1.14	1.57	63	8	69.1	29.0	39.9
3	8	3.341	1.20	1.63	78	8	84.9	30.5	41.4
3-1/2	8	3.838	1.25	1.68	91	8	97.5	31.8	42.7
4	8	4.334	1.30	1.73	103	8	110.1	33.0	43.9
5	8	5.391	1.41	1.84	129	8	136.9	35.8	46.7
6	8	6.446	1.51	1.95	155	8	163.7	38.4	49.5

NOTE—Applicable tolerances:

<sup>a</sup> Thread length (L<sub>4</sub>): ±1 thread, recommended practice +0, -1<sup>b</sup> Pitch diameter: ±1 turn is the maximum variation permitted from the gauging face of the working thread gauges

**Table 2 – Dimensions and weights for rigid steel conduit**

<b>Inch-Pound Units</b>					
Trade Size	Nominal Inside Diameter (in.) <sup>3</sup>	Outside Diameter (in.)	Nominal Wall Thickness (in.)	Length Without Coupling <sup>1</sup> (ft. and in.)	Minimum Weight of Ten Unit Lengths with Couplings Attached (lb.) <sup>2</sup>
1/2	0.632	0.840	0.104	9'11-1/4"	79.0
3/4	0.836	1.050	0.107	9'11-1/4"	105.0
1	1.063	1.315	0.126	9'11"	153.0
1-1/4	1.394	1.660	0.133	9'11"	201.0
1-1/2	1.624	1.900	0.138	9'11"	249.0
2	2.083	2.375	0.146	9'11"	332.0
2-1/2	2.489	2.875	0.193	9'10-1/2"	527.0
3	3.090	3.500	0.205	9'10-1/2"	682.6
3-1/2	3.570	4.000	0.215	9'10-1/4"	831.0
4	4.050	4.500	0.225	9'10-1/4"	972.3
5	5.073	5.563	0.245	9'10"	1313.6
6	6.093	6.625	0.266	9'10"	1745.3
<b>Metric Units</b>					
Metric Designator	Nominal Inside Diameter (mm) <sup>3</sup>	Outside Diameter (mm)	Nominal Wall Thickness (mm)	Length Without Coupling (mm) <sup>1</sup>	Minimum Weight of Ten Unit Lengths with Couplings Attached (kg) <sup>2</sup>
16	16.1	21.3	2.6	3030	35.83
21	21.2	26.7	2.7	3030	47.63
27	27.0	33.4	3.2	3025	69.40
35	35.4	42.2	3.4	3025	91.17
41	41.2	48.3	3.5	3025	112.95
53	52.9	60.3	3.7	3025	150.60
63	63.2	73.0	4.9	3010	239.05
78	78.5	88.9	5.2	3010	309.63
91	90.7	101.6	5.5	3005	376.94
103	102.9	114.3	5.7	3005	441.04
129	128.9	141.3	6.2	2995	595.85
155	154.8	168.3	6.8	2995	791.67

**NOTES—**

1. Straight Conduit

2. Finished Conduit

3. Inside dimensions are not a requirement. However, conduit meeting the required weight and Outside Diameter will nominally have the referenced dimensions.

**Applicable tolerances:**Length:  $\pm 1/4$  in. (6.35 mm) without couplingOutside Diameter: for trade sizes 1/2 (16) through 1 1/2 (41):  $\pm 0.015$  in ( $\pm 0.38$  mm)for trade sizes 2 (53) through 6 (155):  $\pm 1\%$ 

- Wall Thickness: See 8. 4

**Table 3 – Dimensions of couplings**

<b>Inch-Pound Units</b>						
Trade Size	Outside Diameter <sup>1</sup> (in.)	Minimum Length (in.)	Pitch Diameter (in.)		Chamfer Diameter (in.)	
			Minimum	Maximum	Minimum	Maximum
1/2	1.010	1-5/8	0.801	0.814	0.798	0.838
3/4	1.250	1-41/64	1.011	1.024	1.008	1.048
1	1.525	1-31/32	1.267	1.283	1.260	1.300
1-1/4	1.869	2-1/32	1.612	1.628	1.605	1.645
1-1/2	2.155	2-1/16	1.852	1.868	1.845	1.885
2	2.650	2-1/8	2.327	2.343	2.320	2.360
2-1/2	3.250	3-3/16	2.806	2.828	2.800	2.860
3	3.870	3-5/16	3.431	3.453	3.425	3.485
3-1/2	4.500	3-13/32	3.931	3.953	3.925	3.985
4	4.875	3-33/64	4.431	4.453	4.425	4.485
5	6.000	3-61/64	5.494	5.516	5.519	5.579
6	7.200	4-1/4	6.556	6.578	6.591	6.651
<b>Metric Units</b>						
Metric Designator	Outside Diameter <sup>1</sup> (mm)	Minimum Length (mm)	Pitch Diameter (mm)		Chamfer Diameter (mm)	
			Minimum	Maximum	Minimum	Maximum
16	25.7	41.3	20.35	20.68	20.27	21.29
21	31.8	41.7	25.68	26.01	25.60	26.62
27	38.7	50.0	32.18	32.59	32.00	33.02
35	47.5	51.6	40.94	41.35	40.77	41.78
41	54.7	52.4	47.04	47.45	46.86	47.88
53	67.3	54.0	59.11	59.51	58.93	59.94
63	82.6	81.0	71.27	71.83	71.12	72.64
78	98.3	84.1	87.15	87.71	87.00	88.52
91	114.3	86.5	99.85	100.40	99.70	101.20
103	123.8	89.3	112.60	113.10	112.40	113.90
129	152.4	100	139.60	140.10	140.20	141.70
155	182.9	108	166.50	167.10	167.40	168.90

## NOTES—

<sup>1</sup> Outside diameter tolerances:

Plus tolerances: No requirements

Minus tolerances: for trade sizes smaller than 1-1/4 (35): - 1/64 in. (-0.40 mm)  
for trade sizes 1-1/4 (35) and larger: -1%.

- Chamfer angle shall be between 11 and 15 degrees.
- All couplings shall have straight-tapped threads.

**Table 4 – Dimensions of 90-degree elbows and weights of nipples per hundred**

Inch-Pound Units					Metric Units				
Trade Size	Elbows		Nipples		Metric Designator	Elbows		Nipples	
	Minimum Radius to Center of Conduit (in.)	Minimum Straight Length L <sub>s</sub> at Each End (in.)	A lb/in.	B lb/100		Minimum Radius to Center of Conduit (mm)	Minimum Straight Length L <sub>s</sub> at Each End (mm)	A Kg/mm	B Kg/100
1/2	4	1-1/2	0.065	3	16	102	38	0.0012	1.36
3/4	4-1/2	1-1/2	0.086	4	21	114	38	0.0015	1.81
1	5-3/4	1-7/8	0.125	9	27	146	48	0.0022	4.08
1-1/4	7-1/4	2	0.164	10	35	184	51	0.0029	4.54
1-1/2	8-1/4	2	0.202	11	41	210	51	0.0036	4.99
2	9-1/2	2	0.269	14	53	241	51	0.0048	6.35
2-1/2	10-1/2	3	0.430	60	63	267	76	0.0077	27.22
3	13	3-1/8	0.561	70	78	330	79	0.0100	31.75
3-1/2	15	3-1/4	0.663	90	91	381	83	0.0119	40.82
4	16	3-3/8	0.786	115	103	406	86	0.0141	52.16
5	24	3-5/8	1.060	170	129	610	92	0.0190	77.11
6	30	3-3/4	1.410	200	155	762	95	0.0252	90.72

NOTE—Each lot of 100 nipples shall weigh not less than the number of pounds (kilograms) determined by the formula:

$$W = 100 * (LA) - B$$

where:

- W is the unit weight of 100 nipples
- L is the length of one nipple
- A is the nipple weight per unit length
- B is the weight lost in threading 100 nipples